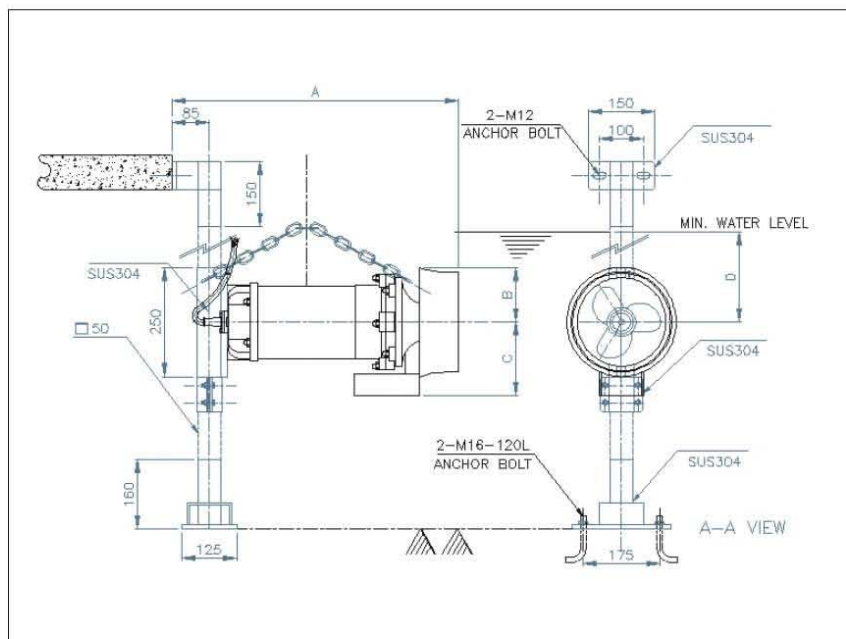
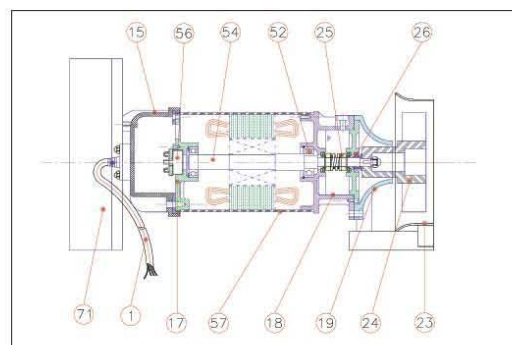


--- MR series



- Compact design,
- More efficient bulk flow
- The angular contact ball bearing resists to axial force



Construction

No.	Part	Material
1	Cable	VCT / H-07
15	Motor Cover	FC200
17	End Bell	FC200
18	Bracket	FC200
19	Inlet Cover	FC200
23	Jet Ring	SS41
24	Impeller	FCD450
25	Mechanical Seal	SIC/SIC
26	Oil Seal	FPM(Viton)
52	Bearing	(73XX)
54	Shaft	SUS304
56	Overload Protector	
57	Motor Housing	SUS304
71	Sliding Seat	SUS304

Specification

Model	Poles	Output		Capacity	Dimension (mm)			
	P	kw	HP	M ³ /min	A	B	C	D
MR-4-4D	4	0.40	1/2	1.8	491.5	95	115	200
MR-7-4D	4	0.75	1	3.2	511.5	95	115	200
MR-15-4D	4	1.52	2	4.5	655.5	125	168	250
MR-22-4D	4	2.23	3	6.8	655.5	125	168	250